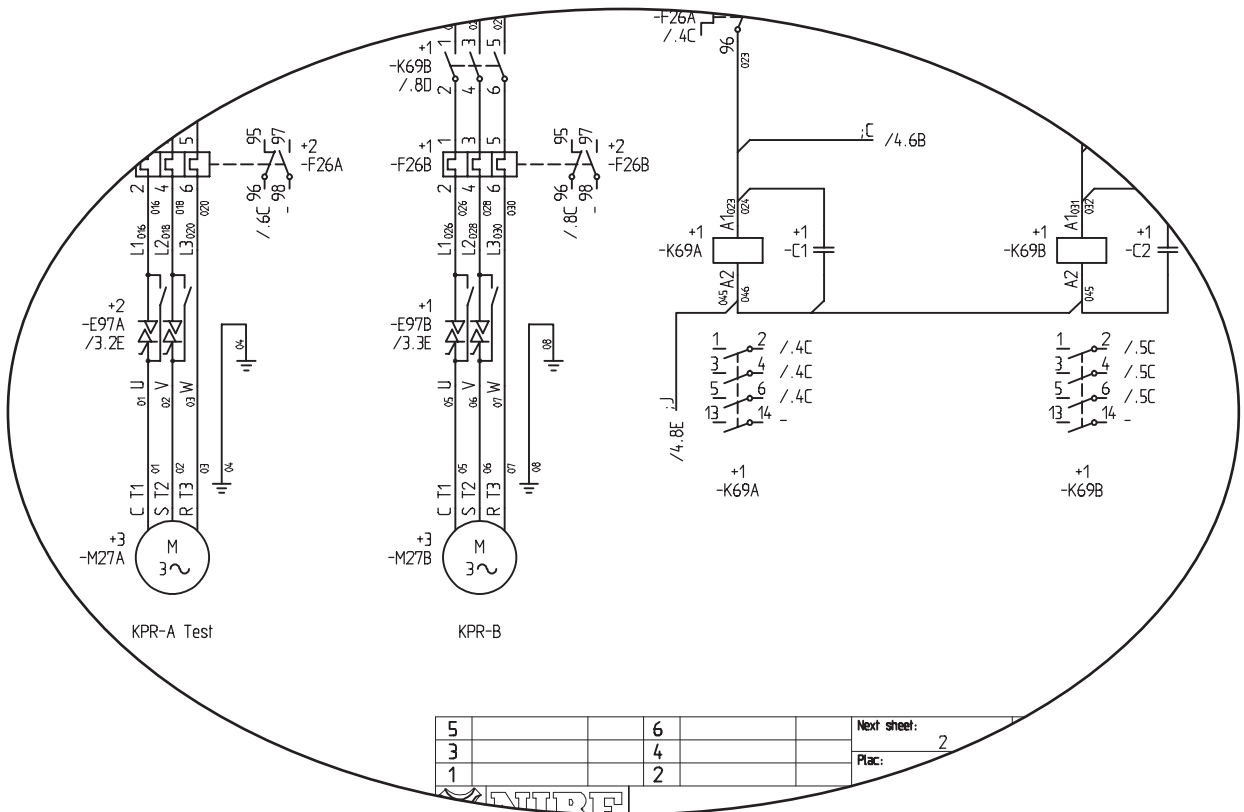
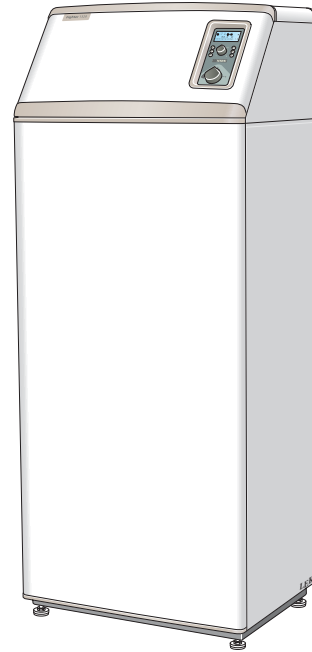




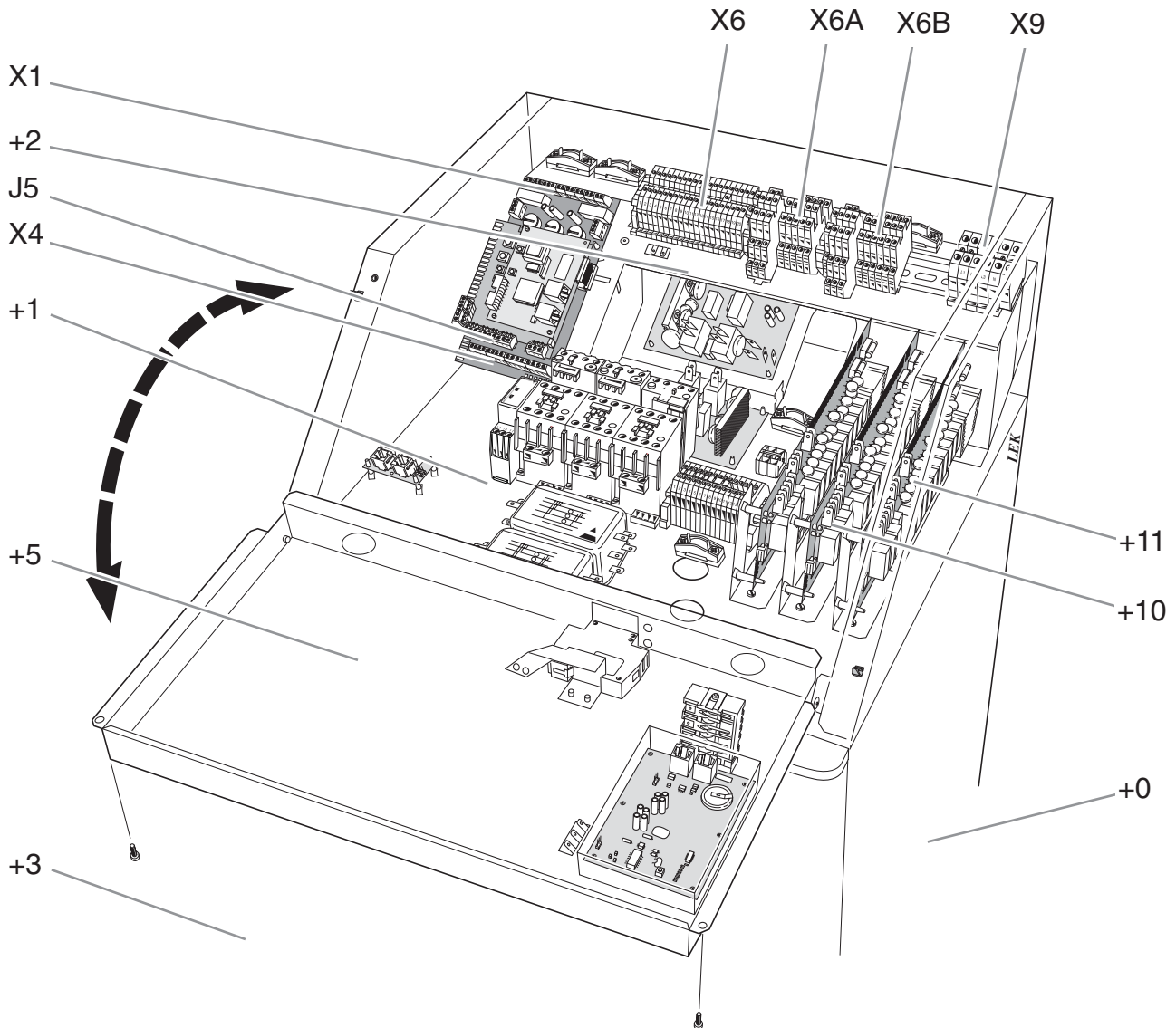
MAV 0646-1  
FIGHTER 1330  
031127

# FIGHTER 1330

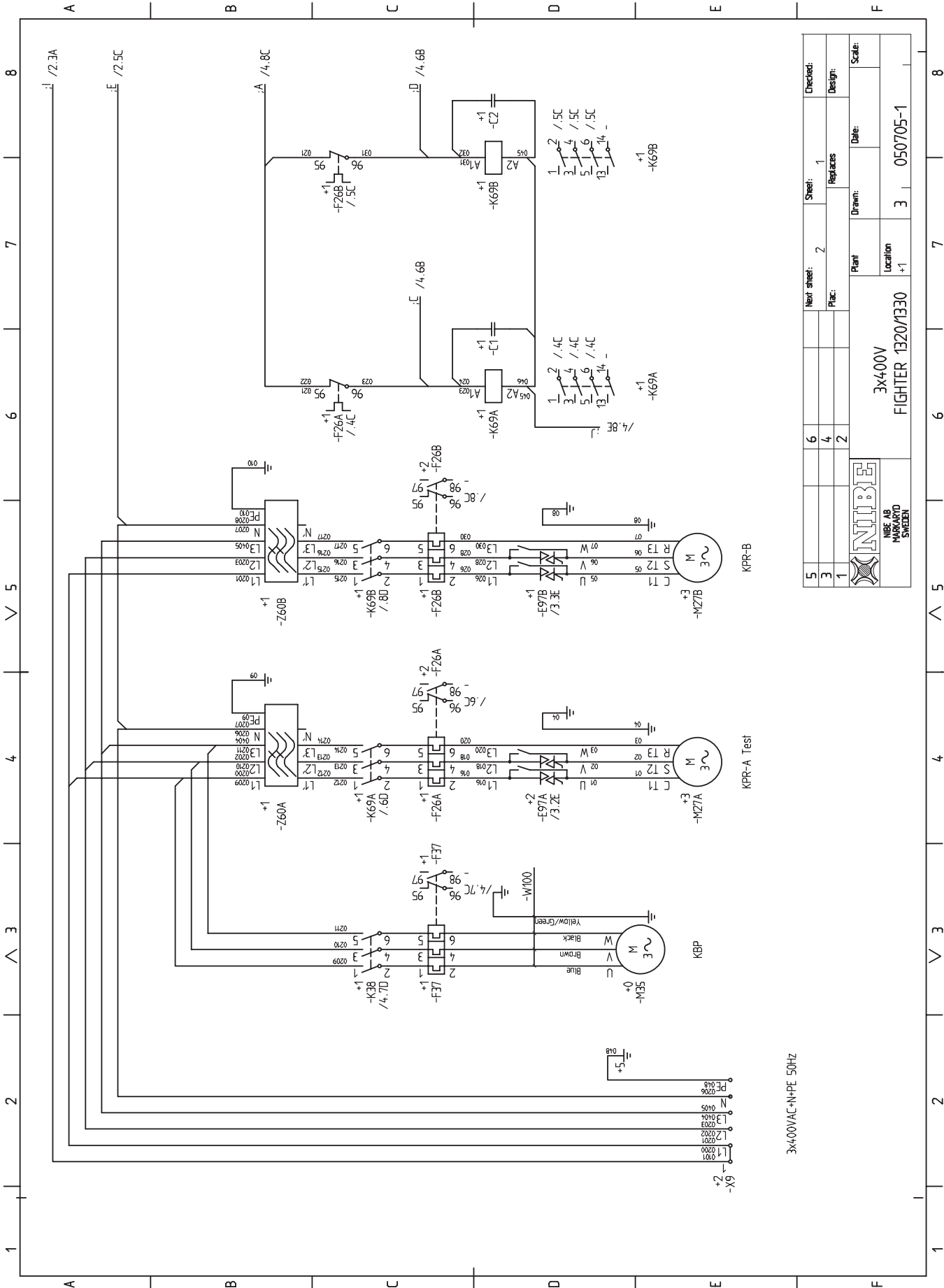
- SE** ELSHEMA FIGHTER 1330
- GB** WIRING DIAGRAM FIGHTER 1330
- DE** ELEKTRISCHER SCHALTPLAN FIGHTER 1330
- DK** EL-DIAGRAM FIGHTER 1330
- FI** SÄHKÖKYTKENTÄKAAVIO FIGHTER 1330
- ES** DIGRAMA ELÉCTRICO FIGHTER 1330
- PL** SCHEMAT OBWODU ELEKTRYCZNEGO FIGHTER 1330
- CZ** ELEKTRICKÉ SCHÉMA ZAPOJENI FIGHTER 1330



# Placering / Locations / Platzierung



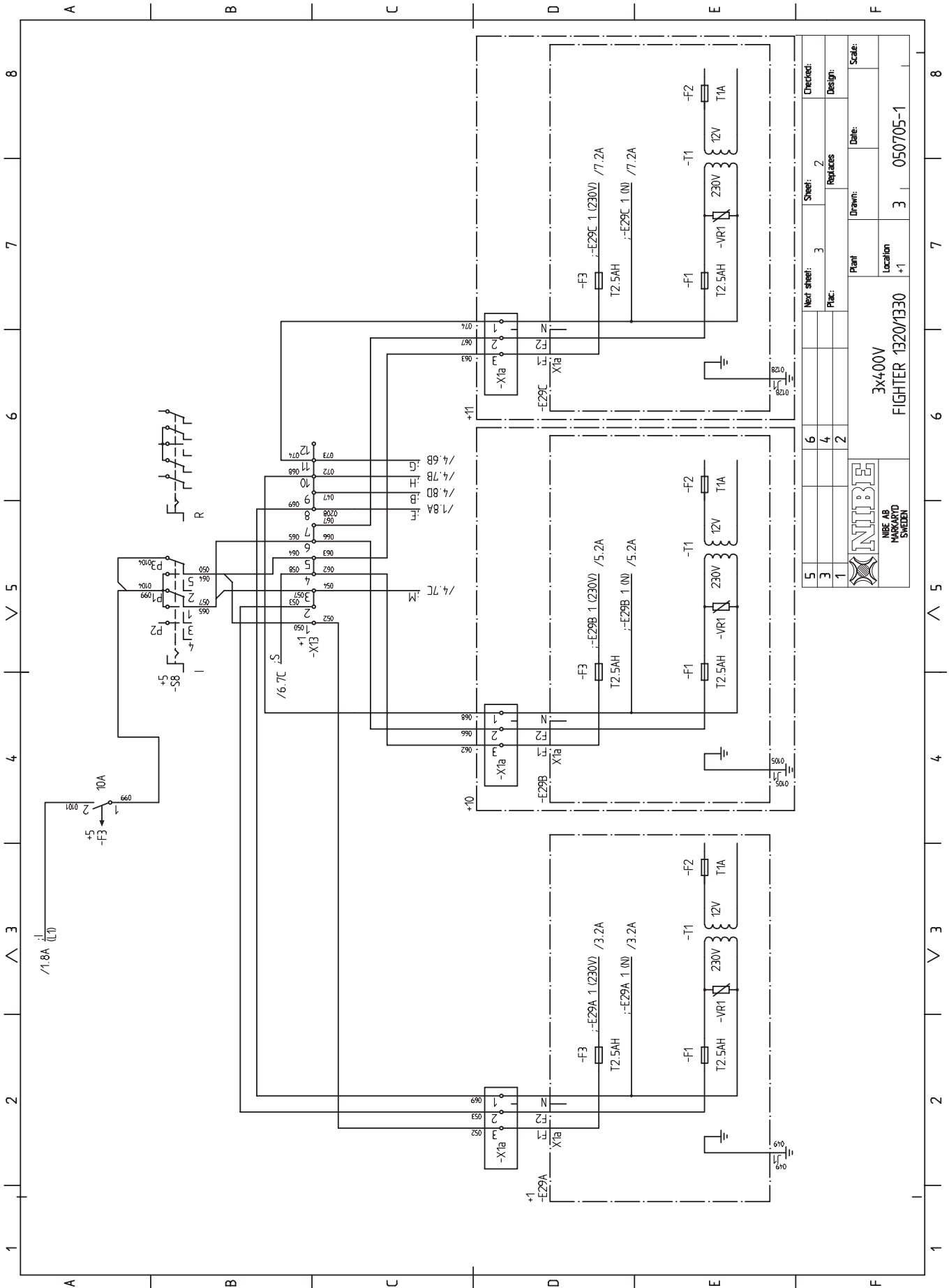
| Location | Svenska              | English                     | Deutsch                  |
|----------|----------------------|-----------------------------|--------------------------|
| +0       | Utanför kylmodulerna | Outside the cooling modules | Außerhalb der Kühlmodule |
| +1       | Mellanplåt           | Medium plate                | Zwischenblech            |
| +2       | Plåt till DIN-skens  | Plate for DIN-terminal      | Blech für DIN-Schiene    |
| +3       | I kylmodulerna       | In the cooling modules      | In den Kühlmodulen       |
| +5       | Frontluckan          | Front plate                 | Frontluke                |
| +10      | Expansionskort 1     | Expansion card 1            | Expansionskarte 1        |
| +11      | Expansionskort 2     | Expansion card 2            | Expansionskarte 2        |
| +50      | Bipackningssats      | Enclosed kit                | Beilagesatz              |
| +100     | Tillbehör            | Accessories                 | Zubehör                  |



3x400VAC+N+PE 50Hz

|   |  |  |  |  |  |  |  |                             |
|---|--|--|--|--|--|--|--|-----------------------------|
| 5 |  |  |  |  |  |  |  | Checked:                    |
| 3 |  |  |  |  |  |  |  | Design:                     |
| 1 |  |  |  |  |  |  |  | Scale:                      |
|   |  |  |  |  |  |  |  | Sheet: 1                    |
|   |  |  |  |  |  |  |  | Replaces:                   |
|   |  |  |  |  |  |  |  | Date:                       |
|   |  |  |  |  |  |  |  | Plant: 3x400V               |
|   |  |  |  |  |  |  |  | Location: FIGHTER 1320/1330 |
|   |  |  |  |  |  |  |  | Drawn: 3                    |
|   |  |  |  |  |  |  |  | Date: 050705-1              |

**INIBE**  
INIBE AB  
MARKADYD  
SWEDEN



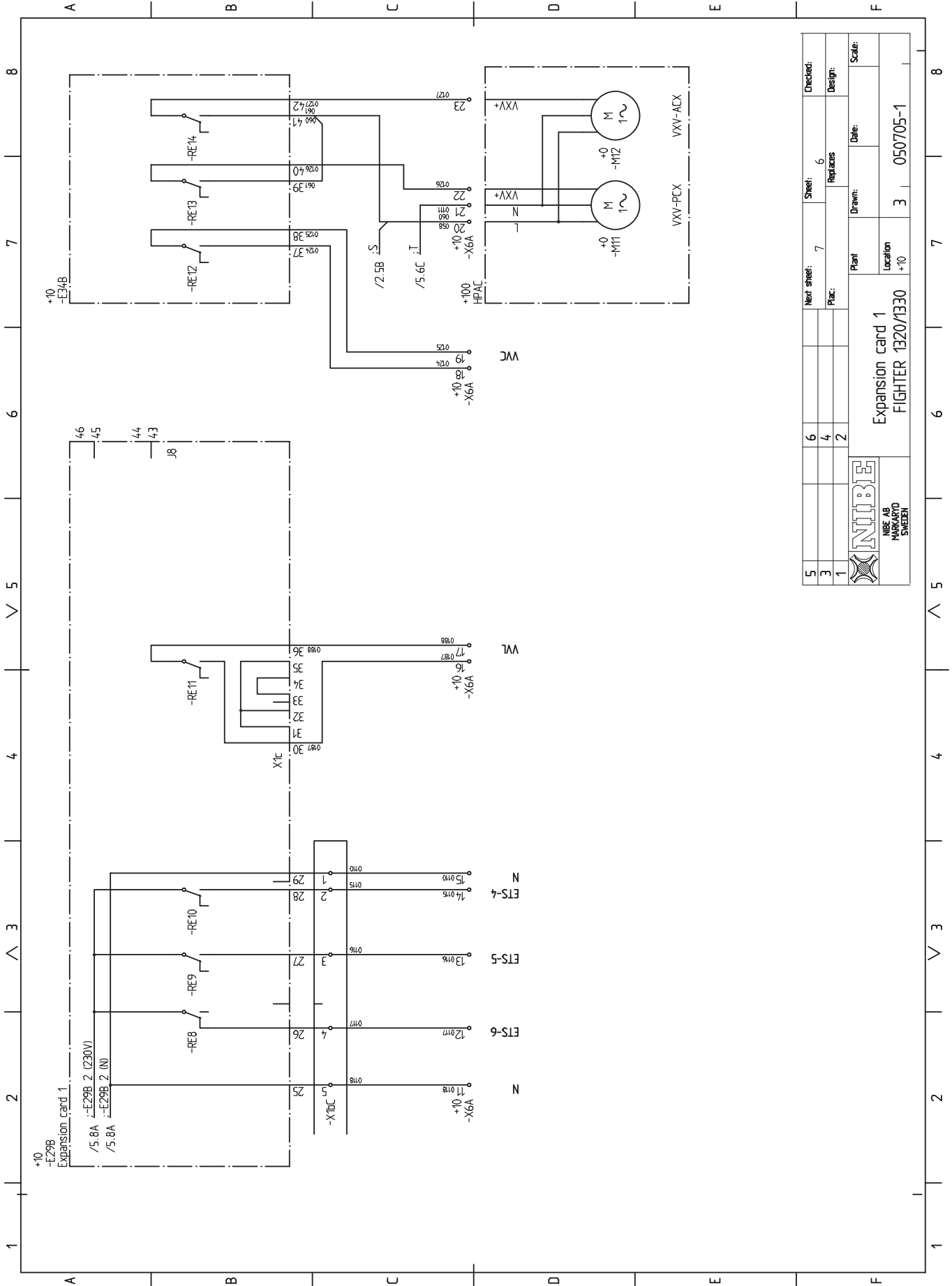
|                                |   |           |        |          |
|--------------------------------|---|-----------|--------|----------|
| 5                              | 6 | 3         | 2      | Checked: |
| 3                              | 4 | 1         | 2      | Design:  |
| 1                              | 2 |           |        | Scale:   |
|                                |   |           |        |          |
| NIBE AB<br>MASKARVAD<br>SWEDEN |   |           |        |          |
| 3x400V                         |   | Plant:    | Drawn: | Date:    |
| FIGHTER 1320/1330              |   | Location: | 3      | 050705-1 |
| +1                             |   |           |        |          |




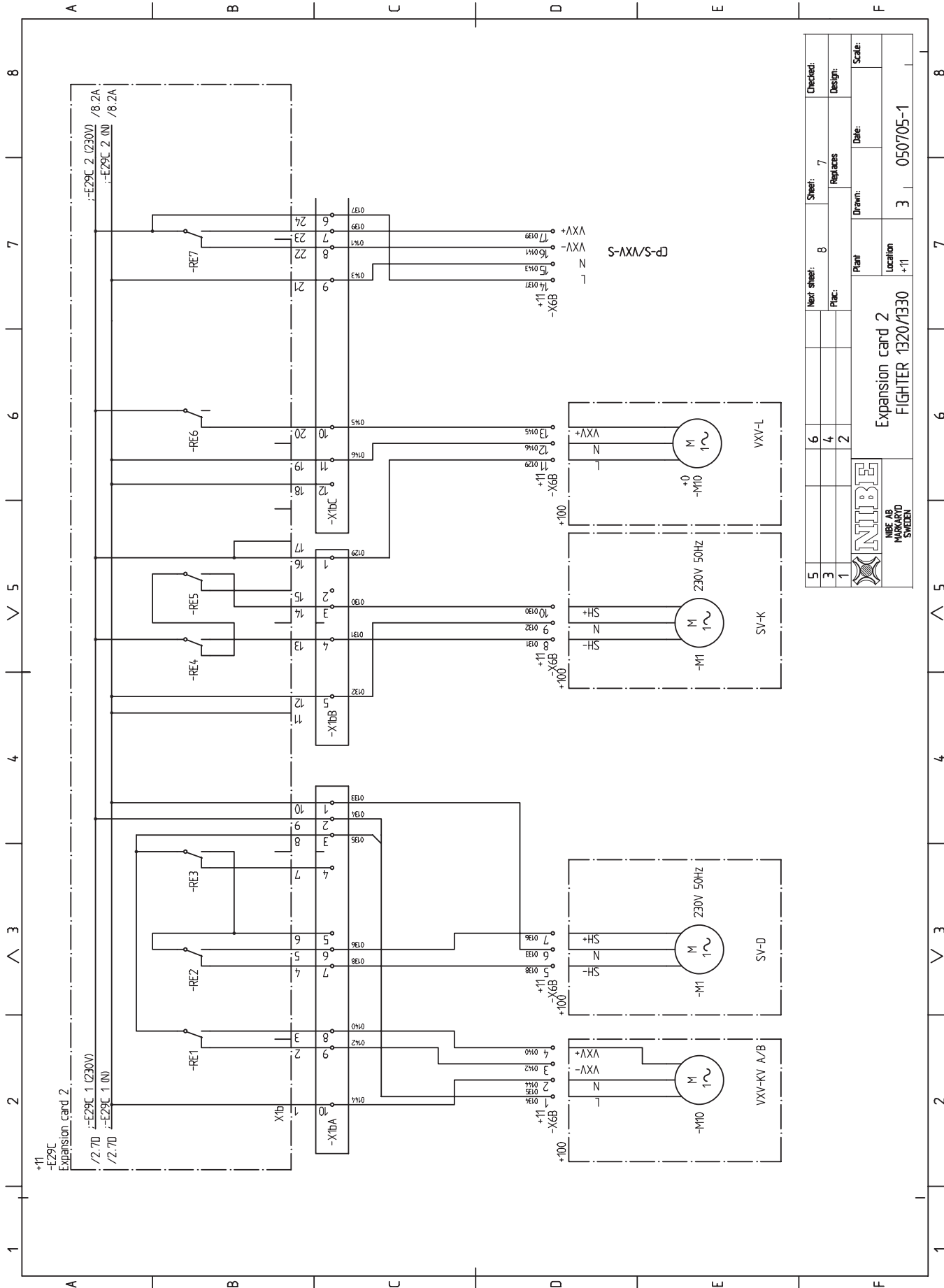





# 6 Expansionskort 1 / Expansion card 1 / Expansionskarte 1

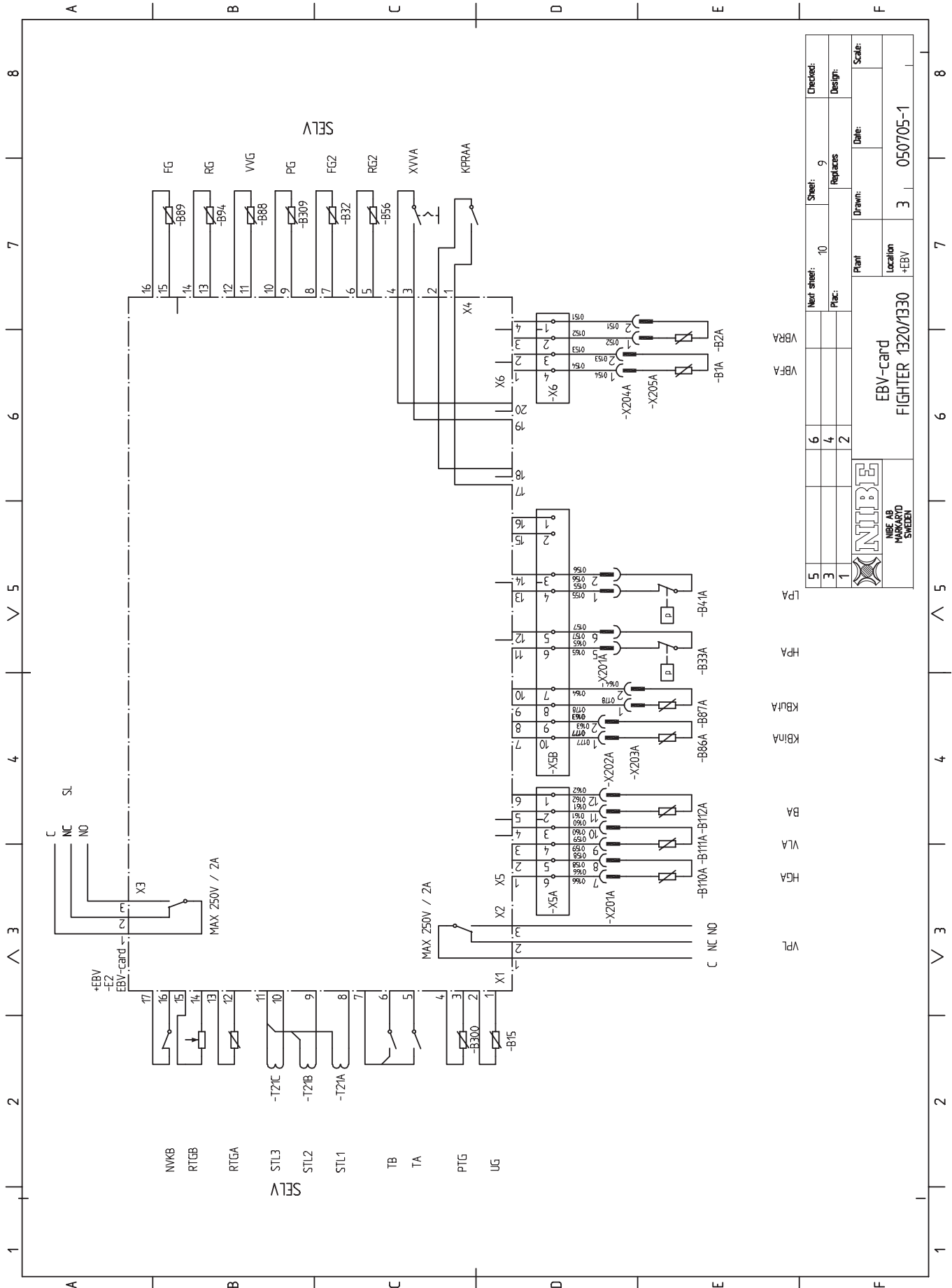


|   |   |            |   |
|---|---|------------|---|
| 5   | 6 | 7          | 8 |
| 3   | 4 | 5          | 6 |
| 1   | 2 | 3          | 4 |
| Next sheet: 7   |   | Sheet: 6   |   |
| Replaces:   |   | Design:    |   |
| Plant: Expansion card 1   |   | Date:      |   |
| Location: FIGHTER 1320/1330   |   | Scale:     |   |
| +10   |   | 3 050705-1 |   |
| <br>NIBE AB<br>MARKARYD<br>SWEDEN |   |            |   |

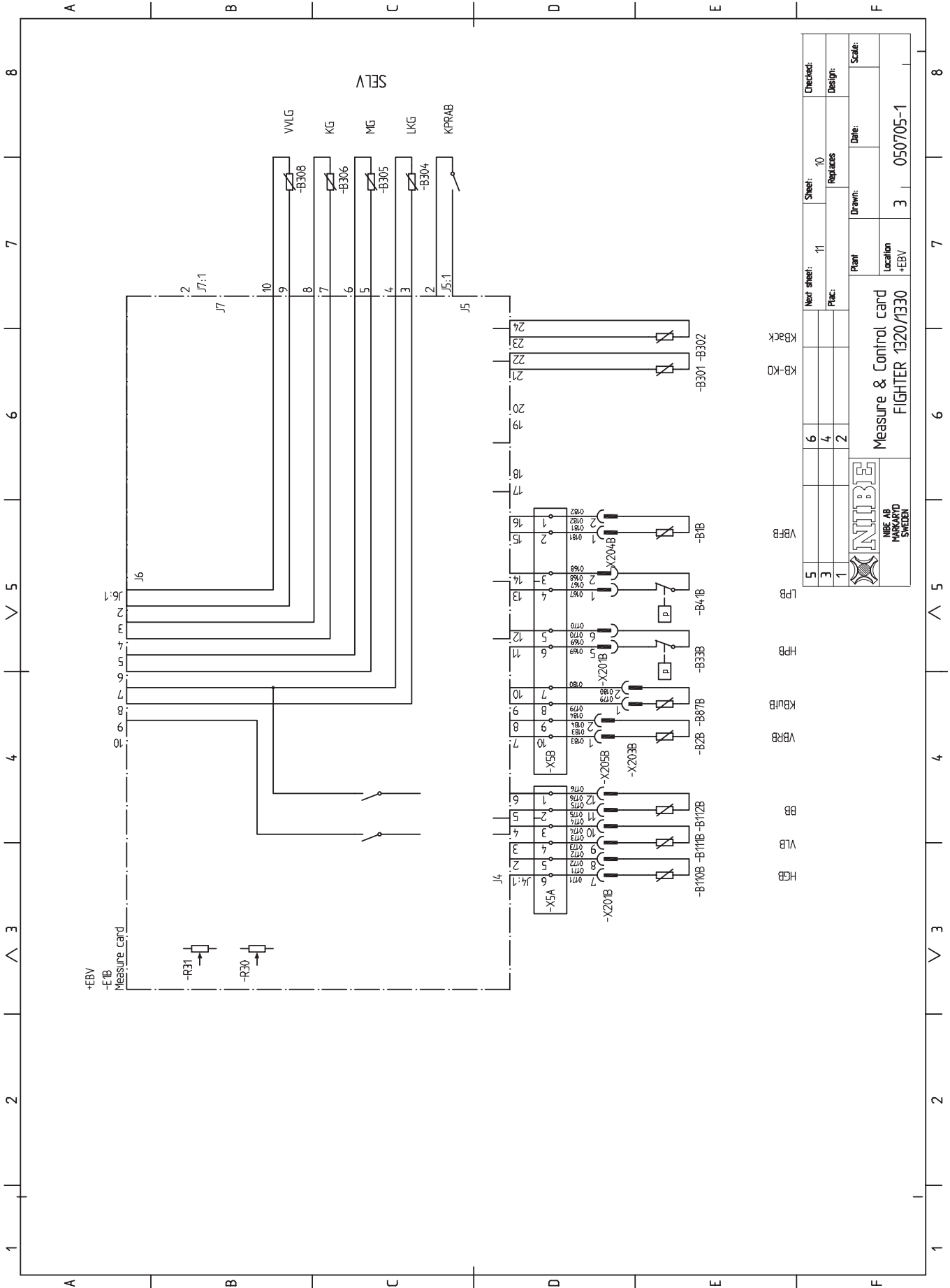


|  |   |                  |                   |          |
|--|---|------------------|-------------------|----------|
| 5  | 6 | Next sheet: 8    | Sheet: 7          | Checked: |
| 3  | 4 | Replaces:        | Design:           |          |
| 1  | 2 | Drawn:           | Date:             |          |
|  |   | Plant            | Location          | Scale:   |
|  |   | Expansion card 2 | FIGHTER 1320/1330 |          |
|  |   | +11              | 3                 | 050705-1 |





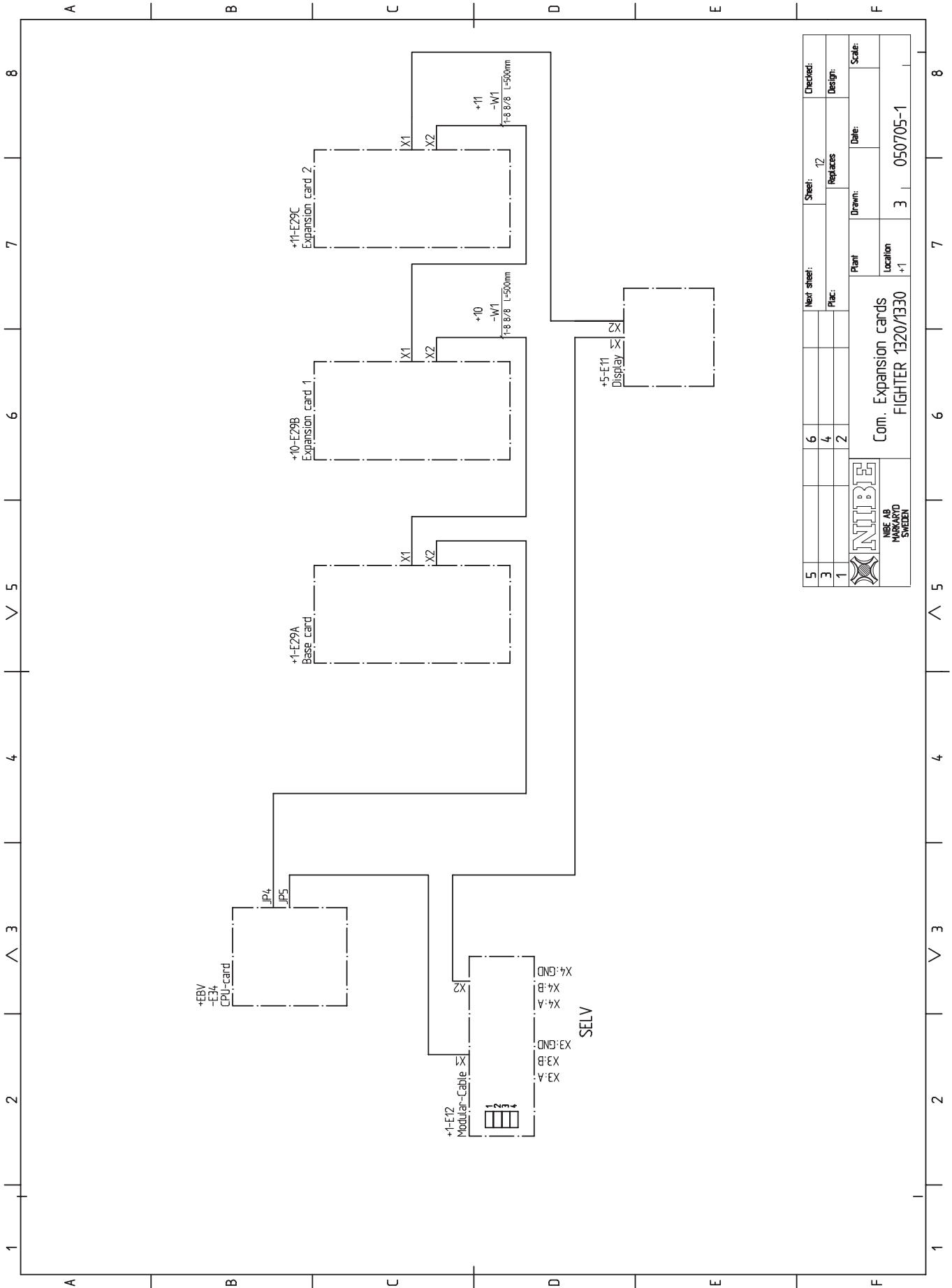
|                               |   |                |          |          |
|-------------------------------|---|----------------|----------|----------|
| 5                             | 6 | Next sheet: 10 | Sheet: 9 | Checked: |
| 3                             | 4 | Plac:          | Replaces | Design:  |
| 1                             | 2 | Plant          | Drawn:   | Date:    |
|                               |   | Plant          | Scale:   |          |
| NIBE AB<br>HÄRNAS<br>SWEDEN   |   | Location       |          |          |
| EBV-card<br>FIGHTER 1320/1330 |   | Location       |          |          |
|                               |   | +EBV           | 3        | 050705-1 |



|                        |   |          |        |          |
|------------------------|---|----------|--------|----------|
| 5                      | 6 | 11       | 10     | Checked: |
| 3                      | 4 | Replaces | 10     | Design:  |
| 1                      | 2 | Plant    | Drawn: | Date:    |
| Scale:                 |   | 050705-1 |        |          |
| Measure & Control card |   | Location |        |          |
| FIGHTER 1320/1330      |   | +EBV     |        |          |







|                   | Svenska   | English  | Deutsch   | Page.Position |
|-------------------|---|--|---|---------------|
| BA                | Bulbtemperatur A                                  | Over heating temperature A                                     | Überhitzungstemperatur A                                  | 9.4E          |
| BB                | Bulbtemperatur B                                  | Over heating temperature B                                     | Überhitzungstemperatur B                                  | 10.4E         |
| CP-D              | Cirkulationspump dumpning                         | Circulationpump dumping  | Umwälzpumpe Überhitzung                                   | 8.4D          |
| CP-G              | Cirkulationspump grundvatten                      | Circulationpump ground water                                   | Umwälzpumpe Grundwasser                                   | 8.8D          |
| CP-K              | Cirkulationspump kyla                             | Circulationpump cooling  | Umwälzpumpe Kühlen  | 8.7D          |
| CP-KO             | Cirkulationspump kollektor                        | Circulationpump collector                                      | Umwälzpumpe Erdkollektor                                  | 8.7D          |
| CP-S/<br>VXV-S    | Cirkulationspump sol /<br>Växselventil sol        | Circulationpump solar /<br>Exchange valve solar                | Umwälzpumpe Solar /<br>Wechselventil Solar                | 7.7D          |
| ETS-1/<br>VXV-ACX | Eltillsats 1 /<br>Växselventil aktiv kyla (HPAC)  | Electric additive 1 /<br>Exchange valve active cooling (HPAC)  | Elektrozusatz 1 /<br>Wechselventil aktives Kühlen (HPAC)  | 4.3D          |
| ETS-2/<br>VXV-PCX | Eltillsats 2 /<br>Växselventil passiv kyla (HPAC) | Electric additive 2 /<br>Exchange valve passive cooling (HPAC) | Elektrozusatz 2 /<br>Wechselventil passives Kühlen (HPAC) | 4.3D          |
| ETS-3/OP          | Eltillsats 3 / Oljepanna                          | Electric additive 3 / Oil boiler                               | Elektrozusatz 3 / Öl-Heizkessel                           | 4.2D          |
| ETS-4             | Eltillsats 4                                      | Electric additive 4  | Elektrozusatz 4   | 6.3D          |
| ETS-5             | Eltillsats 5                                      | Electric additive 5  | Elektrozusatz 5   | 6.3D          |
| ETS-6             | Eltillsats 6                                      | Electric additive 6  | Elektrozusatz 6   | 6.2D          |
| FG                | Framledningsgivare                                | Flow sensor  | Vorlauffühler HK 1  | 9.7B          |
| FG2               | Framledningsgivare system 2                       | Flow sensor system 2   | Vorlauffühler Mischer HK 2                                | 9.7C          |
| HGA               | Hetgastemperatur A                                | Hot gas temperature A  | Heißgastemperatur A                                       | 9.3E          |
| HGB               | Hetgastemperatur B                                | Hot gas temperature B  | Heißgastemperatur B                                       | 10.3E         |
| HPA               | Högtryckspressostat A                             | High pressure pressostat A                                     | Hochdruckpressostat A                                     | 9.5E          |
| HPB               | Högtryckspressostat B                             | High pressure pressostat B                                     | Hochdruckpressostat B                                     | 10.5E         |
| KBack             | Kylackumulatortemperatur                          | Cooling accumulator temperature                                | Kühlpuffertemperatur                                      | 10.6E         |
| KBinA             | Inkommande köldbärartemp. A                       | Collector inlet temperature A                                  | WQA-Eintrittstemperatur A                                 | 9.4E          |
| KB-KO             | Köldbärartemperatur kollektor                     | Collector temperature  | WQA-Temperatur  | 10.6E         |
| KBP               | Köldbärarpump                                     | Collector circulation pump                                     | WQA-Umwälzpumpe   | 1.3D, 4.7D    |
| KButA             | Utgående köldbärartemp. A                         | Collector outlet temperature A                                 | WQA-Austrittstemperatur A                                 | 9.4E          |
| KButB             | Utgående köldbärartemp. B                         | Collector outlet temperature B                                 | WQA-Austrittstemperatur B                                 | 10.4E         |
| KG                | Kylgivare   | Cold sensor  | Kühlfühler  | 10.7C         |
| KPR-A             | Kompressor A                                      | Compressor A   | Kompressor A  | 1.4E,3.2E     |
| KPR-B             | Kompressor B                                      | Compressor B   | Kompressor B  | 1.5E,3.3E     |
| KPRAA             | Kompressoraktivering A                            | Compressor activation A  | Kompressoraktivierung A                                   | 9.7C          |
| KPRAB             | Kompressoraktivering B                            | Compressor activation B  | Kompressoraktivierung B                                   | 10.7C         |
| LKG               | Laddkollektorgivare                               | Load collector sensor  | Ladekollektorfühler                                       | 10.7C         |
| LPA               | Lågtryckspressostat A                             | Low pressure pressostat A                                      | Niederdruckpressostat A                                   | 9.5E          |
| LPB               | Lågtryckspressostat B                             | Low pressure pressostat B                                      | Niederdruckpressostat B                                   | 10.5E         |
| MG                | Markgivare  | Ground sensor  | Solefühler Erde   | 10.7C         |
| NVKB              | Nivåvakt köldbärare                               | Collector level monitor  | Niveauwächter   | 9.2B          |
| PG                | Panngivare  | Boiler sensor  | Heizkesselfühler  | 9.7B          |
| PTG               | Pooltemperaturgivare                              | Pool temperature sensor  | Pooltemperaturfühler                                      | 9.2C          |
| RG                | Returledningsgivare                               | Return pipe sensor   | Rücklauffühler  | 9.7B          |
| RG2               | Returledningsgivare system 2                      | Return pipe sensor system 2                                    | Rücklauffühler HK2  | 9.7C          |
| RTGA              | Rumstermostat system 1 /<br>Rumsgivare A          | Room thermostat system 1 /<br>Room sensor A                    | Raumthermostat System 1 /<br>Raumfühler A                 | 9.2B          |
| RTGB              | Rumstermostat system 2 /<br>Rumsgivare B          | Room thermostat system 2 /<br>Room sensor B                    | Raumthermostat System 2 /<br>Raumfühler B                 | 9.2B          |
| SL                | Summalarm   | Alarm summings-up  | Alarmsummierung   | 9.3A          |
| STL1              | Strömtrafo L1                                     | Current transformer L 1  | Stromwandler L 1  | 9.2C          |
| STL2              | Strömtrafo L2                                     | Current transformer L 2  | Stromwandler L 2  | 9.2B          |
| STL3              | Strömtrafo L3                                     | Current transformer L 3  | Stromwandler L 3  | 9.2B          |
| SV-D              | Shuntventil dumpning                              | Shunt valve dumping  | Mischventil Kühler  | 7.3E          |
| SV-K              | Shuntventil kyla                                  | Shunt valve cooling  | Kühlungs-Mischventil                                      | 7.5E          |
| SV-P              | Shuntventil panna                                 | Shunt valve boiler   | Heizkessel-Mischventil                                    | 3.5E          |
| SV-V2             | Undershunt  | Sub shunt  | Mischventil 2 HK  | 5.3E          |
| SV-VVX            | Styrventil varmvattenack.                         | Hot water tank control valve                                   | Pufferspeichersteuerventil                                | 5.5E          |
| TA                | Tariff A  | Tariff A   | Tarif A   | 9.2C          |
| TB                | Tariff B  | Tariff B   | Tarif B   | 9.2C          |
| UG                | Utegivare   | Outdoor temperature sensor                                     | Außentemperaturfühler                                     | 9.2D          |
| VBFA              | Värmebärare framledning A                         | Heating medium flow A  | WNA-Vorlauf A   | 9.6E          |
| VBFB              | Värmebärare framledning B                         | Heating medium flow B  | WNA-Vorlauf B   | 10.5E         |
| VBP3              | Värmebärarpump 3                                  | Heating medium pump 3  | WNA-Umwälzpumpe HK 1                                      | 3.3D          |
| VBP4              | Värmebärarpump 4                                  | Heating medium pump 4  | WNA-Umwälzpumpe HK 2                                      | 3.3D          |

|            | Svenska                        | English                                | Deutsch                                | Page.Position |
|------------|--------------------------------|--|--|---------------|
| VBP-A      | Värmebärarpump A               | Heating medium pump A                  | WNA-Umwälzpumpe A                      | 3.6E          |
| VBP-B      | Värmebärarpump B               | Heating medium pump B                  | WNA-Umwälzpumpe B                      | 4.6D          |
| VBRA       | Värmebärare retur A            | Heating medium return A                | WNA-Rücklauf A                         | 9.6E          |
| VBRB       | Värmebärare retur B            | Heating medium return B                | WNA-Rücklauf B                         | 10.4E         |
| VLA        | Vätskeledningstemperatur A     | Liquid line temperature A              | Flüssigkeitstemperatur A               | 9.3E          |
| VLB        | Vätskeledningstemperatur B     | Liquid line temperature B              | Flüssigkeitstemperatur B               | 10.3E         |
| VPL        | Värmepumpslarm                 | Heat pump alarm                        | Wärmepumpenalarm                       | 9.3E          |
| VVC        | Varmvattencirkulationspump     | Hot water circulation pump             | Brauchwassercirkulationspumpe          | 6.6D          |
| VVG        | Varmvattengivare               | Hot water sensor                       | Brauchwasserfühler                     | 9.7B          |
| VVL        | Varmvattenladdpump             | Hot water load pump                    | Brauchwasserladepumpe                  | 6.5D          |
| VVLG       | Varmvattenladdgivare           | Hot water load sensor                  | Brauchwasserladefühler                 | 10.7B         |
| VXV        | Växelventil (VV / värme)       | Reversing valve (hot water / heating)  | Wechselventil (Brauchwasser / Heizung) | 3.7E          |
| VXV-ACX    | Växelventil aktiv kyla (HPAC)  | Reversing valve active cooling (HPAC)  | Wechselventil aktive Kühlung (HPAC)    | 6.8E          |
| VXV-L      | Växelventil laddkollector      | Reversing valve for load collector     | Wechselventil für Ladekollector        | 7.6E          |
| VXV-P      | Växelventil pool               | Reversing valve pool                   | Wechselventil Pool                     | 5.2E          |
| VXV-PCX    | Växelventil passiv kyla (HPAC) | Reversing valve passive cooling (HPAC) | Wechselventil passive Kühlung (HPAC)   | 6.7E          |
| VXV-KV A/B | Växelventil kyla A + B         | Reversing valve cooling A + B          | Wechselventil Kühlung A + B            | 7.2E          |
| XVV        | Extra varmvatten               | Extra hot water                        | Extra-Brauchwasser                     | 4.4C          |
| XVVA       | Extra varmvatten aktivering    | Extra hot water activation             | Extra-Brauchwasser-Aktivierung         | 9.7C          |

|                   | Danska   | Finska  | Spanska   | Page.Position |
|-------------------|--|---|---|---------------|
| BA                | Følertemperatur A                                      | Imukaasun lämpötila A   | Temperatura de sobrecalentamiento A   | 9.4E          |
| BB                | Følertemperatur B                                      | Imukaasun lämpötila B   | Temperatura de sobrecalentamiento B   | 10.4E         |
| CP-D              | Cirkulationspumpe dumpning                             | Kiertopumppu, poisto  | Bomba de circulación, descarga  | 8.4D          |
| CP-G              | Cirkulationspumpe grundvand                            | Kiertopumppu, pohjavesi   | Bomba de circulación, pozo  | 8.8D          |
| CP-K              | Cirkulationspumpe kulde                                | Kiertopumppu, jäähdytys   | Bomba de circulación, refrigeración   | 8.7D          |
| CP-KO             | Cirkulationspumpe kollektor                            | Kiertopumppu, kerääjä   | Bomba de circulación, colector  | 8.7D          |
| CP-S/<br>VXV-S    | Cirkulationspumpe sol /<br>Omskifterventil sol         | Kiertopumppu, aurinko /<br>Vaihtoventtiili, aurinko               | Bomba de circulación, solar<br>Válvula de intercambio, solar                        | 7.7D          |
| ETS-1/<br>VXV-ACX | El-tilbehør 1 /<br>Omskifterventil aktiv kulde (HPAC)  | Lisäsähkö 1 /<br>Vaihtoventtiili,<br>aktiivinen jäähdytys (HPAC)  | Complemento eléctrico 1 /<br>Válvula de intercambio,<br>refrigeración activa (HPAC) | 4.3D          |
| ETS-2/<br>VXV-PCX | El-tilbehør 2 /<br>Omskifterventil passiv kulde (HPAC) | Lisäsähkö 2 /<br>Vaihtoventtiili, passiivinen<br>jäähdytys (HPAC) | Complemento eléctrico 2 /<br>Válvula de intercambio, refrigeración<br>activa (HPAC) | 4.3D          |
| ETS-3/OP          | El-tilbehør 3 / Oliefyr                                | Lisäsähkö 3 / Öljykattila   | Complemento eléctrico /<br>Caldera de gasoil  | 4.2D          |
| ETS-4             | El-tilbehør 4  | Lisäsähkö 4   | Electric additive 4   | 6.3D          |
| ETS-5             | El-tilbehør 5  | Lisäsähkö 5   | Electric additive 5   | 6.3D          |
| ETS-6             | El-tilbehør 6  | Lisäsähkö 6   | Electric additive 6   | 6.2D          |
| FG                | Fremløbsføler  | Menolämpötila-anturi  | Sensor de caudal  | 9.7B          |
| FG2               | Fremløbsføler system 2                                 | Menolämpötila-anturi, järjestelmä 2                               | Sistema de sensor de caudal 2   | 9.7C          |
| HGA               | Varmgastemperatur A                                    | Kuumakaasun lämpötila A   | Temperatura del gas caliente A  | 9.3E          |
| HGB               | Varmgastemperatur B                                    | Kuumakaasun lämpötila B   | Temperatura del gas caliente B  | 10.3E         |
| HPA               | Højtrykspresostat A                                    | Korkeapainevahti A  | Presostato de presión alta A  | 9.5E          |
| HPB               | Højtrykspresostat B                                    | Korkeapainevahti B  | Presostato de presión alta B  | 10.5E         |
| KBack             | Køleakkumulatortemperatur                              | Kylmäakun lämpötila   | Temperatura del acumulador<br>de refrigeración                                      | 10.6E         |
| KBinA             | Indkommende kuldebærertemp. A                          | Lämmönkeruun lämpötila sisään. A                                  | Temperatura en la entrada<br>del colector A   | 9.4E          |
| KB-KO             | Kuldebærertemperatur kollektor                         | Keruupiirin lämpötila, kerääjä                                    | Temperatura del colector  | 10.6E         |
| KBP               | Kuldebærerpumpe  | Lämmönkeruupumppu   | Bomba de circulación del colector   | 1.3D, 4.7D    |
| KButA             | Udgående kuldebærertemp. A                             | Lämmönkeruun lämpötila ulos A                                     | Temperatura en la salida del colector A   | 9.4E          |
| KButB             | Udgående kuldebærertemp. B                             | Lämmönkeruun lämpötila ulos B                                     | Temperatura en la salida del colector B   | 10.4E         |
| KG                | Kuldeføler   | Jäähdytysanturi   | Sensor de frío  | 10.7C         |
| KPR-A             | Kompressor A   | Kompressori A   | Compresor A   | 1.4E,3.2E     |
| KPR-B             | Kompressor B   | Kompressori B   | CompresorB  | 1.5E,3.3E     |
| KPRAA             | Kompressoraktivering A                                 | Kompressori, aktivointi A   | Activación del compresor A  | 9.7C          |
| KPRAB             | Kompressoraktivering B                                 | Kompressori, aktivointi B   | Activación del compresor B  | 10.7C         |
| LKG               | Ladekollektorføler                                     | Keruulatauspiirin anturi  | Sensor del colector de carga  | 10.7C         |
| LPA               | Lavtrykspresostat A                                    | Matalapainevahti A  | Presostato de presión baja A  | 9.5E          |
| LPB               | Lavtrykspresostat B                                    | Matalapainevahti B  | Presostato de presión baja B  | 10.5E         |
| MG                | Jordføler  | Maapiirin anturi  | Sensor de pozo  | 10.7C         |
| NVKB              | Niveauføler kuldebærer                                 | Pintakytkin, keruupiiri   | Control de nivel del colector   | 9.2B          |
| PG                | Kedelføler   | Kattila-anturi  | Sensor de frío  | 9.7B          |
| PTG               | Pooltemperaturføler                                    | Altaan lämpötila-anturi   | Sensor de temperatura de la piscina   | 9.2C          |
| RG                | Returløbsføler   | Paluujohdon lämpötila-anturi                                      | Retorno de agua de calentamiento  | 9.7B          |
| RG2               | Returløbsføler system 2                                | Paluujohdon lämpötila-anturi,<br>järjestelmä 2                    | Sistema sensor de las<br>conducciones de retorno 2                                  | 9.7C          |
| RTGA              | Rumtermostat system 1 /<br>Rumføler A                  | Huonetermostaatti, järjestelmä 1 /<br>Huonelämpötila-anturi       | Sistema de termostato de habitación 1 /<br>Sensor de habitación A                   | 9.2B          |
| RTGB              | Rumtermostat system 2 /<br>Rumføler B                  | Huonetermostaatti, järjestelmä /<br>Huonelämpötila-anturi         | Sistema de termostato de habitación 2 /<br>Sensor de habitación B                   | 9.2B          |
| SL                | Summealarm   | Yhteishälytys   | Presentación de alarmas   | 9.3A          |
| STL1              | Strømtransformator L 1                                 | Virtamuuntaja L 1   | Transformador de corriente L 1  | 9.2C          |
| STL2              | Strømtransformator L 2                                 | Virtamuuntaja L 2   | Transformador de corriente L 2  | 9.2B          |
| STL3              | Strømtransformator L 3                                 | Virtamuuntaja L 3   | Transformador de corriente L 3  | 9.2B          |
| SV-D              | Shuntventil dumpning                                   | Shuntiventtiili, poisto   | Válvula de derivación, descarga   | 7.3E          |
| SV-K              | Shuntventil kulde                                      | Shuntiventtiili, jäähdytys  | Válvula de derivación, refrigeración  | 7.5E          |
| SV-P              | Shuntventil kedel                                      | Shuntiventtiili, kattila  | Válvula de derivación, caldera  | 3.5E          |
| SV-V2             | Undershunt   | Alishuntti  | Shunt auxiliar  | 5.3E          |

|            | Danska                            | Finska  | Spanska  | Page.Position |
|------------|-----------------------------------|---|--|---------------|
| SV-VVX     | Styreventil varmtvandsakk.        | Ohjausventtiili, lämminvesisäiliö             | Válvula de control del depósito de agua caliente   | 5.5E          |
| TA         | Tarif A                           | Tariffi A                                     | Tarifa A   | 9.2C          |
| TB         | Tarif B                           | Tariffi B                                     | Tarifa B   | 9.2C          |
| UG         | Udeføler                          | Ulkolämpötila-anturi                          | Sensor de temperatura exterior                     | 9.2D          |
| VBFA       | Varmebærer fremløb A              | Lämpöjohto, meno A                            | Caudal de medio de calentamiento A                 | 9.6E          |
| VBFB       | Varmebærer fremløb B              | Lämpöjohto, meno B                            | Caudal de medio de calentamiento B                 | 10.5E         |
| VBP3       | Varmebærerpumpe 3                 | Kiertovesipumppu 3                            | Bomba de medio de calentamiento 3                  | 3.3D          |
| VBP4       | Varmebærerpumpe 4                 | Kiertovesipumppu 4                            | Bomba de medio de calentamiento 4                  | 3.3D          |
| VBP-A      | Varmebærerpumpe A                 | Kiertovesipumppu A                            | Bomba de medio de calentamiento A                  | 3.6E          |
| VBP-B      | Varmebærerpumpe B                 | Kiertovesipumppu B                            | Bomba de medio de calentamiento B                  | 4.6D          |
| VBRA       | Varmebærer retur A                | Lämpöjohto, paluu A                           | Retorno de agua de calentamiento A                 | 9.6E          |
| VBRB       | Varmebærer retur B                | Lämpöjohto, paluu B                           | Retorno de agua de calentamiento B                 | 10.4E         |
| VLA        | Væskeledningstemperatur A         | Kylmäaineen lämpötila A                       | Temperatura de la línea de fluido A                | 9.3E          |
| VLB        | Væskeledningstemperatur B         | Kylmäaineen lämpötila B                       | Temperatura de la línea de fluido B                | 10.3E         |
| VPL        | Varmepumpealarm                   | Lämpöpumpun hälytys                           | Alarma de bomba de calor                           | 9.3E          |
| VVC        | Varmtvandscirculationspumpe       | Käyttöveden kiertopumppu                      | Bomba de circulación de agua caliente              | 6.6D          |
| VVG        | varmtvandsføler                   | Käyttövesianturi                              | Sensor de agua caliente                            | 9.7B          |
| VVL        | Varmtvandsladepumpe               | Käyttöveden latauspumppu                      | Bomba de carga de agua caliente                    | 6.5D          |
| VVLG       | Varmvattenladdgivare              | Käyttöveden anturi                            | Sensor de carga de agua caliente                   | 10.7B         |
| VXV        | Omskiftventil (VV / varme)        | Vaihtoventtiili (LV / lämmitys)               | Válvula de inversión (agua caliente / calefacción) | 3.7E          |
| VXV-ACX    | Omskiftventil aktiv kulde (HPAC)  | Vaihtoventtiili, aktiivinen jäähdytys (HPAC)  | Válvula de inversión, refrigeración activa (HPAC)  | 6.8E          |
| VXV-L      | Omskiftventil ladekollektor       | Vaihtoventtiili, keruulatauspiiri             | Válvula de inversión del colector de carga         | 7.6E          |
| VXV-P      | Omskiftventil pool                | Vaihtoventtiili, allas                        | Válvula de inversión, piscina                      | 5.2E          |
| VXV-PCX    | Omskiftventil passiv kulde (HPAC) | Vaihtoventtiili, passiivinen jäähdytys (HPAC) | Válvula de inversión, refrigeración pasiva (HPAC)  | 6.7E          |
| VXV-KV A/B | Omskiftventil kulde A + B         | Vaihtoventtiili, jäähdytys A + B              | Válvula de inversión, refrigeración                | 7.2E          |
| XVV        | Ekstra varmtvand                  | Lisäkäyttövesi                                | Agua caliente adicional                            | 4.4C          |
| XVVA       | Ekstra varmtvand aktivering       | Lisäkäyttövesi, aktivointi                    | Activación del agua caliente adicional             | 9.7C          |

|                   | Polska   | Tjeckiska   | Page.Position |
|-------------------|--|---|---------------|
| BA                | Czujnik temperatury, gaz zasysany A                                      | Teplota přehřevu A  | 9.4E          |
| BB                | Czujnik temperatury, gaz zasysany B                                      | Teplota přehřevu B  | 10.4E         |
| CP-D              | Pompa obiegowa, zrzut ciepła (chł.)                                      | Oběhové čerpadlo, vypouštění                                    | 8.4D          |
| CP-G              | Pompa, woda gruntowa   | Oběhové čerpadlo, spodní voda                                   | 8.8D          |
| CP-K              | Pompa obiegowa, chłodzenie   | Oběhové čerpadlo, chlazení                                      | 8.7D          |
| CP-KO             | Pompa obiegowa, kolektor (chł.)  | Oběhové čerpadlo, kolektor                                      | 8.7D          |
| CP-S/<br>VXV-S    | Pompa obiegowa, system solarny /<br>Zawór rozdzielający, system solarny  | Oběhové čerpadlo, solar /<br>přepínací ventil solaru            | 7.7D          |
| ETS-1/<br>VXV-ACX | Kocioł elektryczny 1 /<br>Zawór rozdzielający, chłodzenie aktywne (HPAC) | Přídavný zdroj 1 /<br>aktivní chlazení výměnného ventilu (HPAC) | 4.3D          |
| ETS-2/<br>VXV-PCX | Kocioł elektryczny 2 /<br>Zawór rozdzielający, chłodzenie pasywne (HPAC) | Přídavný zdroj 2 /<br>pasivní chlazení výměnného ventilu (HPAC) | 4.3D          |
| ETS-3/OP          | Kocioł elektryczny 3 / Kocioł olejowy                                    | Přídavný zdroj 3 / olejov_ kotel                                | 4.2D          |
| ETS-4             | Kocioł olejowy 4   | Přídavný zdroj 4  | 6.3D          |
| ETS-5             | Kocioł olejowy 5   | Přídavný zdroj 5  | 6.3D          |
| ETS-6             | Kocioł olejowy 6   | Přídavný zdroj 6  | 6.2D          |
| FG                | Czujnik temperatury zasilania  | Snímač průtoku  | 9.7B          |
| FG2               | Czujnik temperatury zasilania, system 2                                  | Snímač průtoku 2  | 9.7C          |
| HGA               | Czujnik temperatury, gaz gorący A  | Teplota chladiva výtlak kompresoru A                            | 9.3E          |
| HGB               | Czujnik temperatury, gaz gorący B  | Teplota chladiva výtlak kompresoru B                            | 10.3E         |
| HPA               | Wyłącznik wysokiego ciśnienia A  | Vysokotlaký presostat A   | 9.5E          |
| HPB               | Wyłącznik wysokiego ciśnienia B  | Vysokotlaký presostat B   | 10.5E         |
| KBack             | Czujnik temperatury, akumulator płynu chłodzącego (chł.)                 | Teplota chladicího akumulátoru                                  | 10.6E         |
| KBinA             | Czujnik temperatury, wejście dolnego źródła. A                           | Teplota, kolektor vstup A                                       | 9.4E          |
| KB-KO             | Czujnik temperatury, kolektor (chł.)                                     | Teplota kolektoru   | 10.6E         |
| KBP               | Pompa obiegowa dolnego źródła.   | Oběhové čerpadlo kolektoru                                      | 1.3D, 4.7D    |
| KButA             | Czujnik temperatury, wyjście dolnego źródła. A                           | Teplota na výstupu kolektoru A                                  | 9.4E          |
| KButB             | Czujnik temperatury, wyjście dolnego źródła. B                           | Teplota na výstupu kolektoru B                                  | 10.4E         |
| KG                | Czujnik zasilania, chłodzenie  | Studené čidlo   | 10.7C         |
| KPR-A             | Sprężarka A  | Kompresor A   | 1.4E,3.2E     |
| KPR-B             | Sprężarka B  | Kompresor B   | 1.5E,3.3E     |
| KPRAA             | Załączenie sprężarki A   | Aktivace kompresoru A   | 9.7C          |
| KPRAB             | Załączenie sprężarki B   | Aktivace kompresoru B   | 10.7C         |
| LKG               | Czujnik temperatury, ładowanie kolektora (chł.)                          | Čidlo plnění kolektoru  | 10.7C         |
| LPA               | Wyłącznik niskiego ciśnienia A   | Nížkotlaký presostat A  | 9.5E          |
| LPB               | Wyłącznik niskiego ciśnienia B   | Nížkotlaký presostat B  | 10.5E         |
| MG                | Czujnik temperatury gruntu (chł.)  | Čidlo teploty země  | 10.7C         |
| NVKB              | Czujnik poziomu czynnika dolnego źródła                                  | Monitor hladiny v kolektoru                                     | 9.2B          |
| PG                | Czujnik temperatury, kocioł  | Čidlo kotle   | 9.7B          |
| PTG               | Czujnik temperatury, ogrzewanie basenu                                   | Čidlo teploty nádrže  | 9.2C          |
| RG                | Czujnik temperatury powrotu,   | Čidla zpětného potrubí  | 9.7B          |
| RG2               | Czujnik temperatury powrotu, system 2                                    | Systém čidla zpětného potrubí 2                                 | 9.7C          |
| RTGA              | Termostat pokojowy 1<br>Czujnik pokojowy A                               | Systém pokojového termostatu 1 /<br>pokojové čidlo A            | 9.2B          |
| RTGB              | Termostat pokojowy 2 /<br>Czujnik pokojowy B                             | Systém pokojového termostatu 2 /<br>pokojové čidlo B            | 9.2B          |
| SL                | Podsumowanie alarmów   | Přehled alarmů  | 9.3A          |
| STL1              | Transformator prądu L1   | Proudový transformátor L 1                                      | 9.2C          |
| STL2              | Transformator prądu L2   | Proudový transformátor L 2                                      | 9.2B          |
| STL3              | Transformator prądu L3   | Proudový transformátor L 3                                      | 9.2B          |
| SV-D              | Zawór mieszący, zrzut ciepła   | Směšovací ventil plnění   | 7.3E          |
| SV-K              | Zawór mieszący, chłodzenie   | Směšovací ventil chlazení                                       | 7.5E          |
| SV-P              | Zawór mieszący, kocioł   | Směšovací ventil kotel  | 3.5E          |
| SV-V2             | Zawór podmieszania   | Směšovací ventil  | 5.3E          |
| SV-VVX            | Zawór regulacyjny zbiornika z ciepłą wodą                                | Přepínací ventil nádrže na teplou vodu                          | 5.5E          |
| TA                | Taryfa A   | Tarif A   | 9.2C          |
| TB                | Taryfa B   | Tarif B   | 9.2C          |
| UG                | Czujnik temperatury zewnętrznej  | Čidlo venkovní teploty  | 9.2D          |
| VBFA              | Zasilanie systemu grzewczego A   | Topná voda výstup A   | 9.6E          |
| VBFB              | Zasilanie systemu grzewczego B   | Topná voda výstup B   | 10.5E         |
| VBP3              | Pompa obiegowa czynnika grzewczego 3                                     | Vratné médium 3   | 3.3D          |
| VBP4              | Pompa obiegowa czynnika grzewczego 4                                     | Vratné médium 4   | 3.3D          |

|           | Polska  | Tjeckska                                  | Page.Position |
|-----------|---|---|---------------|
| VBP-A     | Pompa obiegowa czynnika grzewczego A            | Vratné médium A                           | 3.6E          |
| VBP-B     | Pompa obiegowa czynnika grzewczego B            | Vratné médium B                           | 4.6D          |
| VBRA      | Powrót systemu grzewczego A                     | Vratná voda A                             | 9.6E          |
| VBRB      | Powrót systemu grzewczego B                     | Vratná voda B                             | 10.4E         |
| VLA       | Czujnik temperatury, stan ciekły A              | Teplota chladiva za kondenzátorem A       | 9.3E          |
| VLB       | Czujnik temperatury, stan ciekły B              | Teplota chladiva za kondenzátorem B       | 10.3E         |
| VPL       | Alarm pompy ciepła                              | Alarm tepelného čerpadla                  | 9.3E          |
| VVC       | Pompa cyrkulacyjna ciepłej wody                 | Čirkulační čerpadlo TUV                   | 6.6D          |
| VVG       | Czujnik ciepłej wody                            | Čidlo teplé vody                          | 9.7B          |
| VVL       | Pompa ładująca ciepłej wody                     | Nabíjecí čerpadlo teplé vody              | 6.5D          |
| VVLG      | Czujnik ładowania ciepłej wody                  | Čidlo teplé vody                          | 10.7B         |
| VXV       | Zawór rozdzielający (ciepła woda / ogrzewanie)  | Přepínací ventil (teplá voda/vytápění)    | 3.7E          |
| VXV-ACX   | Zawór rozdzielający, chłodzenie aktywne (HPAC)  | Přepínací venti aktivního chlazení (HPAC) | 6.8E          |
| VXV-L     | Zawór rozdzielający, ładowanie kolektora (chl.) | Přepínací ventiů pro plnicí kolektor      | 7.6E          |
| VXV-P     | Zawór rozdzielający, ogrzewanie basenu          | Přepínací ventil bazén                    | 5.2E          |
| VXV-PCX   | Zawór rozdzielający, chłodzenie pasywne (HPAC)  | Přepínací venti pasivního chlazení (HPAC) | 6.7E          |
| VXV-KV AB | Zawór rozdzielający, chłodzenie A + B           | Přepínací ventil chlazení A + B           | 7.2E          |
| XVV       | Dodatkowej ciepłej wody                         | XTUV                                      | 4.4C          |
| XVVA      | Aktywacja dodatkowej ciepłej wody               | Aktivace XTUV                             | 9.7C          |

## Data för temperaturgivare / Temperature sensor data / Daten für Temperaturfühler

| Temperatur (°C)<br>Temperature (°C)<br>Temperatur (°C)<br>Temperatur (°C)<br>Lämpötila (°C)<br>Temperatura (°C) | Resistans (kΩ)<br>Resistance (kΩ)<br>Widerstand (kΩ)<br>Modstand (kΩ)<br>Resistanssi (kΩ)<br>Rezystancja (kΩ) | Spänning (V)<br>Voltage (V)<br>Spannung (V)<br>Spaending (V)<br>Jännite (V)<br>Napięcie (V) |
|---|---|---|
| -40   | 102,35  | 4,78  |
| -35   | 73,51   | 4,70  |
| -30   | 53,44   | 4,60  |
| -25   | 39,29   | 4,47  |
| -20   | 29,20   | 4,31  |
| -15   | 21,93   | 4,12  |
| -10   | 16,62   | 3,90  |
| -5  | 12,71   | 3,65  |
| 0   | 9,81  | 3,38  |
| 5   | 7,62  | 3,09  |
| 10  | 5,97  | 2,80  |
| 15  | 4,71  | 2,50  |
| 20  | 3,75  | 2,22  |
| 25  | 3,00  | 1,95  |
| 30  | 2,42  | 1,70  |
| 35  | 1,96  | 1,47  |
| 40  | 1,60  | 1,27  |
| 45  | 1,31  | 1,09  |
| 50  | 1,08  | 0,94  |
| 55  | 0,83  | 0,76  |
| 60  | 0,69  | 0,65  |
| 65  | 0,56  | 0,54  |
| 70  | 0,46  | 0,46  |





**CZ** **NIBE CZ**, V Závětrí 1478/6, CZ-170 00 Prague 7  
Tel: 0266 791 796 Fax: 0266 791 796 E-mail: [centrala@nibe-cz.com](mailto:centrala@nibe-cz.com) [www.nibe.com](http://www.nibe.com)

---

**DE** **NIBE Systemtechnik GmbH**, Am Reiherpfahl 3, D-29223 Celle  
Tel: 05141/7546-0 Fax: 05141/7546-99 E-mail: [info@nibe.de](mailto:info@nibe.de) [www.nibe.de](http://www.nibe.de)

---

**DK** **Vølund Varmeteknik**, Filial af NIBE AB, Brogårdsvej 7, 6920 Videbæk  
Tel: 97 17 20 33 Fax: 97 17 29 33 E-mail: [info@volundvt.dk](mailto:info@volundvt.dk) [www.volundvt.dk](http://www.volundvt.dk)

---

**FI** **NIBE – Haato**, Valimotie 27, 01510 Vantaa  
Puh: 09-274 697 0 Fax: 09-274 697 40 E-mail: [info@haato.com](mailto:info@haato.com) [www.haato.fi](http://www.haato.fi)

---

**GB** **NIBE Energy Systems Ltd**  
Tel: 0845 095 1200 Fax: 0845 095 1201 E-mail: [info@nibe.co.uk](mailto:info@nibe.co.uk) [www.nibe.co.uk](http://www.nibe.co.uk)

---

**NL** **NIBE Energietechnik B.V.** Postbus 2 4797 ZG WILLEMSTAD NB  
Tel: 0168 477722 Fax: 0168 476998 E-mail: [info@nibeboilers.nl](mailto:info@nibeboilers.nl) [www.nibeboilers.nl](http://www.nibeboilers.nl)

---

**NO** **NIBE AB**, Jerikoveien 20, 1067 Oslo  
Tel: 22 90 66 00 Fax: 22 90 66 09 E-mail: [info@nibe.se](mailto:info@nibe.se) [www.nibe-villavarme.no](http://www.nibe-villavarme.no)

---

**PL** **NIBE-BIAWAR Sp. z o. o.** Aleja Jana Pawła II 57, 15-703 BIAŁYSTOK  
Tel: 085 662 84 90 Fax: 085 662 84 14 E-mail: [sekretariat@biawar.com.pl](mailto:sekretariat@biawar.com.pl) [www.biawar.com.pl](http://www.biawar.com.pl)

---

**NIBE AB Sweden**, Box 14, Järnvägsgatan 40, SE-285 21 Markaryd  
Tel: +46-(0)433-73 000 Fax: +46-(0)433-73 190 E-mail: [info@nibe.se](mailto:info@nibe.se) [www.nibe.com](http://www.nibe.com)

